



UNITED STATES ENVIRONMENTAL PROTECTION AGENCY
WASHINGTON, DC 20460

OFFICE OF CHEMICAL SAFETY
AND POLLUTION PREVENTION

November 23, 2020

Jeanette Covert
Authorized Representative
Innovative Pest Control Products
c/o Product and Regulatory Associates, LLC
P.O. Box 1683
Voorhees, New Jersey 08043

Subject: Notification per PRN 98-10 – Add Marketing Claims
Product Name: Gourmet Liquid Ant Bait
EPA Registration Number: 73766-2
Application Date: April 7, 2020
Decision Number: 565995

Dear Ms. Covert:

The Agency is in receipt of your Application for Pesticide Notification under Pesticide Registration Notice (PRN) 98-10 for the above referenced product. The Registration Division (RD) has conducted a review of this request for its applicability under PRN 98-10 and finds that the action requested falls within the scope of PRN 98-10.

The label submitted with the application has been stamped “Notification” and will be placed in our records.

Should you wish to add/retain a reference to the company’s website on your label, then please be aware that the website becomes labeling under the Federal Insecticide Fungicide and Rodenticide Act and is subject to review by the Agency. If the website is false or misleading, the product would be misbranded and unlawful to sell or distribute under FIFRA section 12(a)(1)(E). 40 CFR 156.10(a)(5) list examples of statements EPA may consider false or misleading. In addition, regardless of whether a website is referenced on your product’s label, claims made on the website may not substantially differ from those claims approved through the registration process. Therefore, should the Agency find or if it is brought to our attention that a website contains false or misleading statements or claims substantially differing from the EPA approved registration, the website will be referred to the EPA’s Office of Enforcement and Compliance.

If you have any questions, please contact Melody Banks at (703) 305-5413, or by email at Banks.Melody@epa.gov.

Sincerely,

A handwritten signature in black ink, appearing to read "Elizabeth Fertich". The signature is written in a cursive style with a large initial "E".

Elizabeth Fertich
Product Manager 04
Invertebrate & Vertebrate Branch 1
Registration Division (7505P)
Office of Pesticide Programs

CONSUMER USE LABEL

NOTIFICATION

73766-2

The applicant has certified that no changes, other than those reported to the Agency have been made to the labeling. The Agency acknowledges this notification by letter dated:

11/23/2020

-MASTER LABEL-

Gourmet Liquid Ant Bait

(Alternate Name) [Green Way Liquid Ant and Roach Killer]

(Alternate Name) [Green Way Liquid Ant Killing Bait](Alternate Name)

[Green Way Liquid Ant [and/&] Roach Killing Bait]

(Alternate Name) [Green Way Liquid Ant [and/&] Roach Bait]

(Optional) [In (or with) Antopia® Bait Station]

[Honeydew¹ Formula]

[¹Honeydew refers to the excretions of plant sucking insects that may be used as food by ants.] [Optional]

No Mess [- No Ants] [Optional]

Use [Indoors] or [Outdoors] [Optional]

No Sprays [Optional]

(Optional Non-food related Logo or Image)

Kills [Roaches and, &] Sweet [and, &] Protein Feeding Ants, except Fire [and, &] Harvester Ants [Optional]

Controls Carpenter [and, &] Argentine Ants [Optional]

Kills Roaches and Common Household Ants Including Argentine and Carpenter Ants [Optional]

Active Ingredient:

Disodium octaborate tetrahydrate1.0%

Other Ingredients:99.0%

Total**100.0%**

KEEP OUT OF REACH OF CHILDREN

CAUTION

Net Contents: 2.5 gallons (Ag Uses), 1 gallon (Non-Ag uses), 275 Gallons
0.75 fluid oz (22.2 ml), 32 fluid oz,
6 to 14 fluid oz (Antopia®)

Manufactured For:

Innovative Pest Control Products

P.O. Box 143055

Gainesville, Florida 32614 USA

EPA Reg. No. 73766-2

EPA Est. No 81944-GA-001 or 41580-FL-001 or 81184-FL-001 or **70815-GA-001 or 88746-GA-01**

(insert #)[Ant & Roach Café RTU or Antopia®] Prefilled [Ready to Use] Bait Stations
US Patent Nos. 6,202,341; 6,502,348; 6,871,444; 7,310,908; 7,937,886; D682,981 and 8,266,839 [Optional]

PRECAUTIONARY STATEMENTS

Hazards to Humans and Domestic Animals

CAUTION

ENVIRONMENTAL HAZARDS

Do not apply directly to water. Do not contaminate water when disposing of equipment wash waters or rinsate.

[The use of any pesticide in a manner that may kill or otherwise harm an endangered species or adversely modify their habitat is a violation of Federal law.]

DIRECTIONS FOR USE- [NON-AGRICULTURAL USES]

It is a violation of Federal law to use this product in a manner inconsistent with its labeling.

Do not contaminate food, feed or foodstuffs.

Place baits in areas inaccessible to children and pets.

[Use of this product for the control of bed bugs is prohibited.] (Note to reviewer: this statement is for all indoor treatments.)

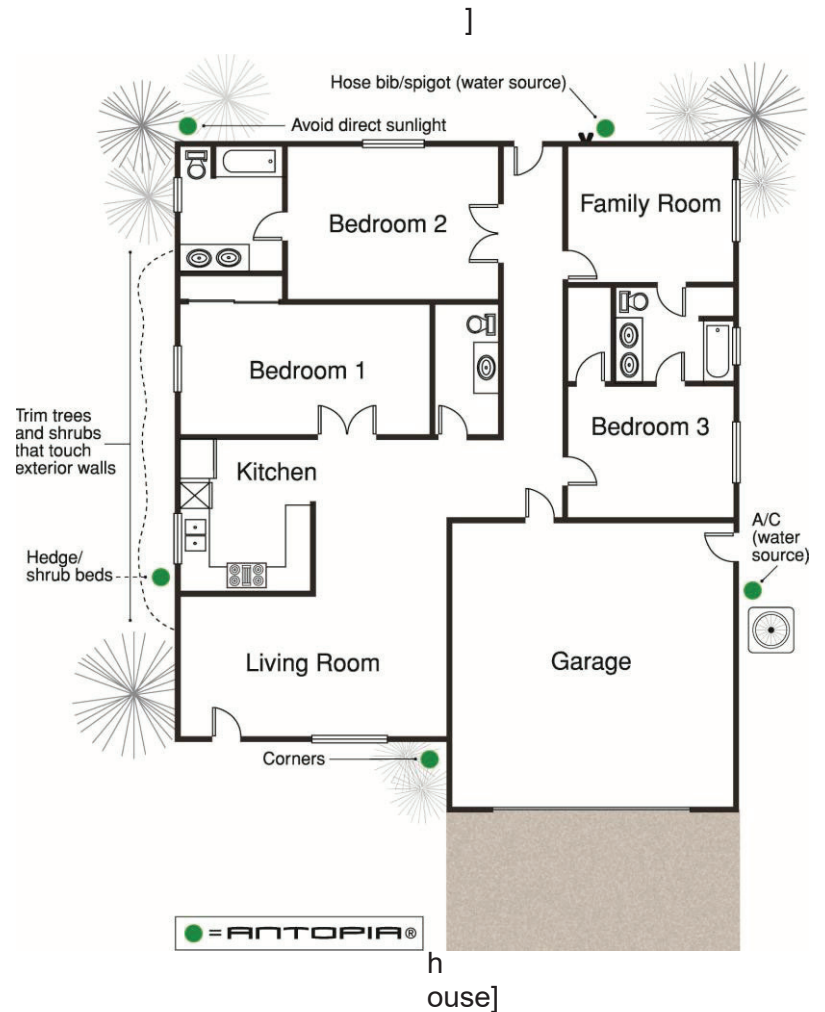
To kill ants and roaches use [indoors or outdoors] near homes, apartments, condominiums, schools, hospitals, restaurants, grocery stores, food processing plants (nonfood areas),[boats, cruise ships,] institutional and commercial buildings, nursing homes, hotels and warehouses.

Gourmet Liquid Ant Bait may be used at full strength, diluted with distilled water or other water based, food grade liquid 1:1 to make bait containing 0.5% active ingredient. Bait may be used in Ant Cafe, Ant Café Outdoor, Snap Open Bait Station, Antopia® Bait Stations, KM AntPro Bait Stations or other similar stations that are sold separately.

[Ant & Roach Cafe RTU Bait Station Instructions: 1.To activate Ant & Roach Cafe RTU Bait Station, place station on a flat surface with the cone facing up. If cone is filled with liquid, move station from side to side rapidly and liquid will leave the cone. 2. With a scissor cut the top of the cone, so that the top of the remaining cone is level with top of surrounding circular surface. 3. Place bait station according to label directions.] optional]

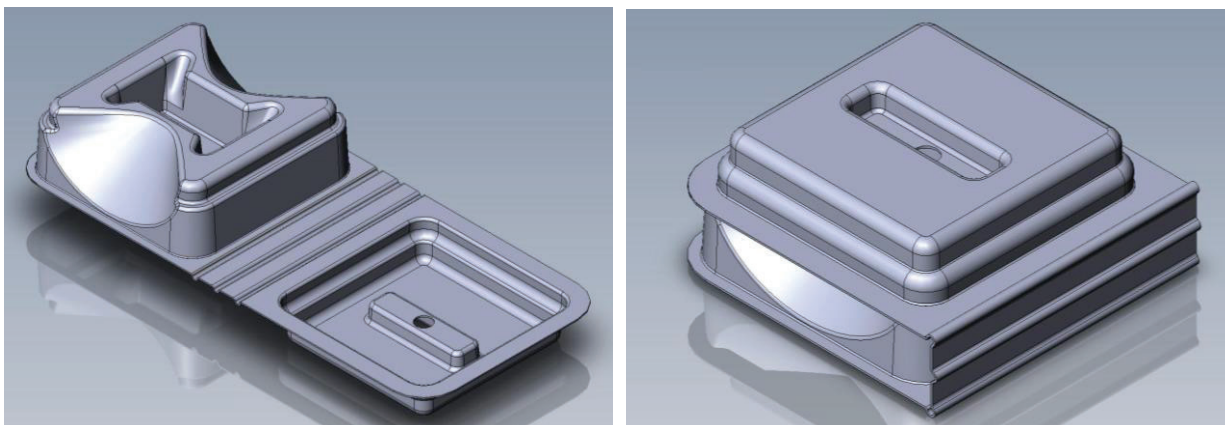
(Optional: illustrations of bait station activation)Place the bait station on or near ant activity. [Place stations under food cabinets, sinks, stoves, refrigerators, food storage areas, attics, garages, basements, storage areas, closets. Place on exterior windowsills and in doorways to help prevent entry of ants. Some bait stations may be designed to be affixed to a wall, hung on pipes or branches, anchored in the ground or placed on a flat surface.] When using bait stations, wash hands thoroughly before handling to remove any odors that may be repellent to ants, i.e. tobacco, garlic, and chemical cleaners.





Optional [Bug Bar Refillable Insect Bait Station

Bug Bar Refillable Insect Bait Station can be used indoors or outdoors. Bait station may be filled by placing station on a flat surface in the open position and adding bait to well area of the bait station base. Do not fill the trough to a point where the bait will overflow the well.



Close bait station by folding lid on to the base. Top will click securely into place.

Bait station may also be filled in the closed position by inserting the tip of a syringe containing insect bait into the hole located on the top of the bait station. Do not overfill the bait station. Bait should be contained in the bait station without overflow.

To re-use Bug Bar Refillable Insect Bait Station, wash with water or water and a mild non-perfumed detergent.

Place bait stations according placement instructions on the label.]

[OPEN PLACEMENT METHOD NOT TO BE USED IN CALIFORNIA

Gourmet Liquid Ant Bait can be used to make small, pea sized placements and or long thin lines in areas inaccessible to children and pets, where ants are a problem.] Optional

Outdoors: For best results place stations in shaded areas or create shade for the bait station. Avoid placing bait station where it will receive direct sunlight whenever possible.

[Optional [Outdoor Ant & Roach Café RTU Bait Station with stake-

- For use around Structures- The number of bait Stations to use will vary with the type of ant and the size of the colony.
- For initial placement- Place one bait station every fifty feet around the structure to be treated.

To activate and place the station

- Prepare Anchor Stake – Remove protective adhesive cover from anchor stake to expose adhesive and press bait station onto adhesive.
- Place the anchor into the soil until the bait station entryway is level with the soil. If you encounter difficulty in seating the bait station properly, remove it and loosen the soil more thoroughly, then repeat the anchoring process.]



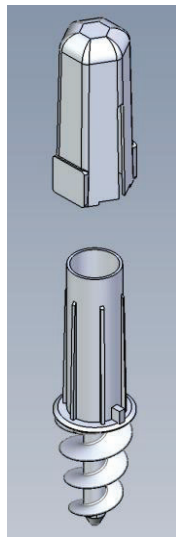
[Pictograms are optional]]

[Optional] **Antopia® 6 Bait Station Operating & Placement Instructions**

- For use around Structures- The number of bait Stations to use will vary with the type of ant and the size of the colony. For initial placement- Place one bait station every fifty feet around the structure to be treated.
- If any of the bait stations is emptied in less than a week, double the initial placement. Replace baits as needed till feeding activity ceases.
- The preparations below will help to prevent damage to the bait station
- If bait station lock is present and engaged, apply downward pressure to the 2 clear structures that extend from the base of the reservoir and lock the green cover in place. Pull up on the green cover while lock is disengaged to expose the bait reservoir. To engage the lock, align the flat panels of the green cover with the clear structures and apply downward pressure on the cover until you can feel the lock engage.

To activate and place the station

- Loosen the soil in the spot where you are going to place the station to width of about 3” and a depth of about 7” with a large screw driver [or small shovel].
- Place the anchor into the soil with a clockwise turning motion until the entryway is level with the soil. If you encounter difficulty in seating the bait station properly, remove it and loosen the soil more thoroughly, then repeat the anchoring process
- Alternatively, dig a small hole to a depth of 7” place the station in the hole, so that the entryway is level with the adjacent ground and replace the soil.
- Remove foil seal (if present) to expose the bait.
- Remove Feeding Float
- Fill the station with about 6 ounces of liquid ant bait
- Place feeding float on top of bait- center the float in the chamber



[Optional pictogram]

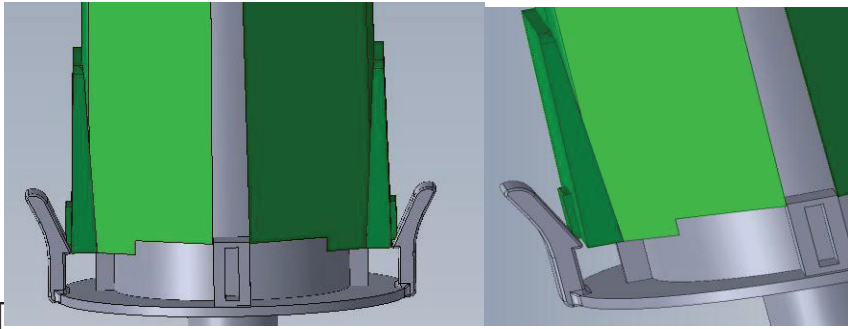
To reuse Antopia®6 Bait Station: [Antopia® Refillable Bait Station]

If less than six months from first use, remove cap on top and add bait of the same type being used. If spill resistance is desired fill station to approximately 6 fluid ounces.

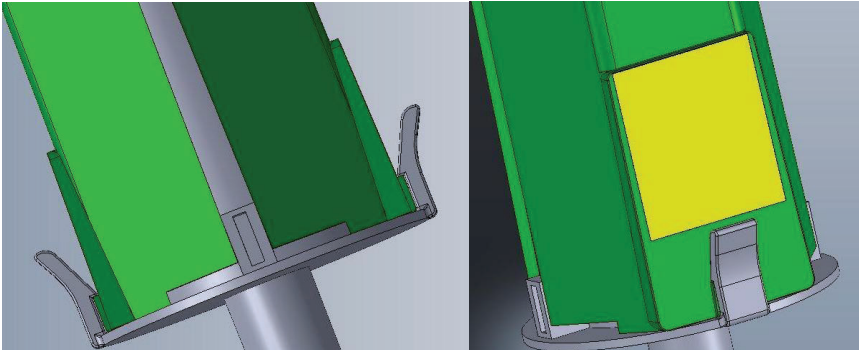
If more than 6 months since first use or last cleaning; empty bait station completely, dispose of uneaten bait in accordance with label directions, fill bait station with mild bleach solution (1% Chlorine) and allow to sit at least 1 hour, empty bait station and dispose of rinsate properly, rinse bait stations several times with water or mild soap and water solution, empty station, dispose of rinsate properly and allow station to dry.

Add bait through top fill port to 6 fluid ounce level, replace fill port cover and place station as directed on label.]

[Optional Pictograms Antopia 6 Locking Mechanism] [Note to reviewer that this is a placeholder for pictograms as they may change]



[Optional] [Locking Mechanism pre-engagement]



[Optional] [Locking Mechanism Engaged]

[Optional] [ANTOPIA BAIT STATIONS-

- Keeps the bait contained and away from children, pets and off of the ground.
- Protects the bait from rain, sun damage and contamination.
- Provides control measures to ants outdoors, where most ants nest.
- Use Feeding Float Technology to keep dying ants from contaminating the bait
- Ant control outdoors -24 hours per day, 7 days a week.] optional

[Placeholder: pictogram with the follow text for labeled diagram of the bait station:

Spiral Anchor, Entryway with re-sealable closure, Entry Tube, Refill Port, Locking closure on refill port, Bait reservoir, spiral ramp to access bait in reservoir at varying levels.]

[Placeholder : pictogram showing ants entering, following the entry tube, entering the reservoir, exiting the reservoir and exiting the station.]

[Outdoors- [Ant Café Outdoor Bait Station or Antopia® Bait Station] –

- For use around Structures- The number of bait Stations to use will vary with the type of ant and the size of the colony.
- If spill resistance is desired fill station to approximately 8.3 fluid ounces. If spill resistance is not critical, fill bait station to top of bait chamber, approximately 14 to 16.4 to 6 fluid ounces of bait.
- For initial placement- Place one bait station every fifty feet around the structure to be treated.
- If any of the bait stations is emptied in less than a week, double the initial placement. Replace baits as needed till feeding activity ceases.] [optional]
- The preparations below will help to prevent damage to the bait station.

To activate and place the station

1. Loosen the soil in the spot where you are going to place the station to width of about 3” and a depth of about 7” with a large screwdriver [or small shovel].

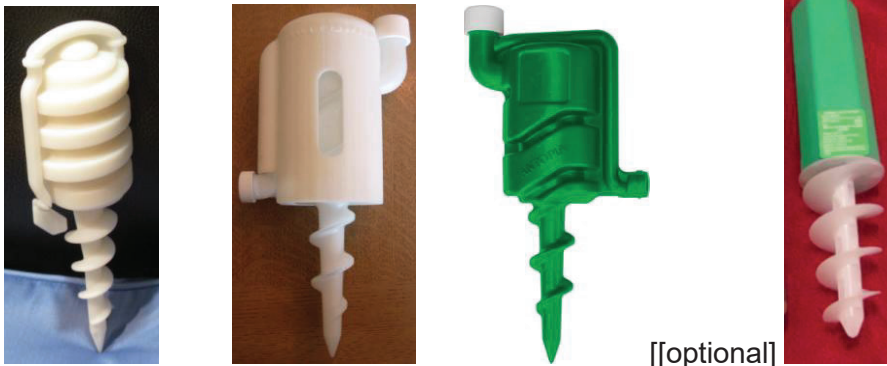
2. Place the anchor into the soil with a clockwise turning motion until the [bait station] entryway is level with the soil. If you encounter difficulty in seating the bait station properly, remove it and loosen the soil more thoroughly, then repeat the anchoring process.
3. Alternatively, dig a small hole to a depth of 7" place the station in the hole, so that the entryway is level with the adjacent ground and replace the soil.] [optional]

[[Ant Café Outdoor Bait Station or Antopia® Bait Station] may be refilled with Gourmet Liquid Ant Bait and reused, when useful life is over dispose of bait station as directed below] [Optional]]

[Placeholder Optional- labeled Antopia diagram showing ants path to bait]

Listed ants are attracted to and will feed on Gourmet liquid Ant Bait until they die. The bait is designed to work slowly and sufficient bait should be made available for at least 14 days of continuous feeding. Replace the bait(s) with fresh bait(s) as needed.

Do not use sprays, foggers or any repellent chemicals or cleaners near the bait containers or placements. This may contaminate the bait and disrupt ant foraging causing the insects to cease feeding.



To reuse Antopia® Bait Station:

If less than six months from first use, remove cap on top and add bait of the same type being used. If more than 6 months since first use or last cleaning; empty bait station completely, dispose of uneaten bait in accordance with label directions, fill bait station with mild bleach solution (1% Chlorine) and allow to sit at least 1 hour, empty bait station and dispose of rinsate properly, rinse bait stations several times with water or mild soap and water solution, empty station, dispose of rinsate properly and allow station to dry. Replace lower seal, if station is to be transported filled. Add bait through top fill port to either 7 or 14 fluid ounce level, replace fill port cap and place station as directed on label.

ONE TIME USE BAIT STATION:

STORAGE AND DISPOSAL

Do not contaminate water, food or feed by storage or disposal of this product.

Storage: Store product in original container in a cool dry place out of reach of children. Do not allow product to freeze.

Pesticide Disposal and Container Handling: If empty: Do not reuse this container. Place in trash or offer for recycling if available. If partly filled: Call your local solid waste agency for disposal instructions. Never place unused product down any indoor or outdoor drain.

BOTTLE CONCENTRATE:

STORAGE AND DISPOSAL

Do not contaminate water, food, or feed by storage or disposal of this product.

Pesticide Storage: Store product in original container in a cool dry place out of reach of children. Do not allow product to freeze.

Pesticide Disposal and Container Handling: Nonrefillable container. Do not reuse or refill this container. If empty: Place in trash or offer for recycling if available. If partly filled: Call your local solid waste agency for disposal instructions. Never place unused product down any indoor or outdoor drain.

REUSABLE BAIT STATION:**STORAGE AND DISPOSAL**

Do not contaminate water, food, or feed by storage or disposal of this product.

Pesticide Storage: Store product in original container in a cool dry place out of reach of children. Do not allow product to freeze.

Pesticide Disposal and Container Handling: Nonrefillable container. Do not reuse or refill this container, except as described in the Directions for Use. If empty: When useful life of bait station is over, place in trash or offer for recycling if available. If partly filled: Call your local solid waste agency for disposal instructions. Never place unused product down any indoor or outdoor drain.

Lot #

[Notice:

By using this product, user or buyer accepts the following Conditions. Disclaimer of Warranties: To the extent consistent with applicable law, IPCP makes no other warranties, express or implied, of merchantability or of fitness for a particular purpose or otherwise, that extend beyond the statements made on this label. No agent of IPCP is authorized to make any warranties beyond those contained herein or to modify the warranties contained herein. To the extent consistent with applicable law, IPCP disclaims any liability whatsoever for special, incidental or consequential damages resulting from the use or handling of this product.] Optional

[Optional language for Subregistrant]

[Notice: To the extent consistent with applicable law, buyer assumes all responsibility for safety and use not in accordance with directions. Product guaranteed to the extent of purchase price, only when used according to label directions.]

Optional Marketing Claims that may be on the label:

Made in USA [Optional]

Prefilled- Ready to Use [Optional]

GUARANTEED TO WORK OR YOUR MONEY BACK! [Optional]

For multi-pack configurations:

[Ant & Roach Cafe RTU Bait Stations, Ant Café Outdoor Bait Stations or Antopia® Bait Stations] ARE NOT FOR INDIVIDUAL SALE [Optional]

For Indoor & Outdoor Use [Optional]

Pre-filled- Ready to Use [Optional]

Kills Roaches [Optional]

Green Way Ant Control System [Optional]

Ant Control Made Easy [Optional]

Pictogram placeholder for Ants and/or Roaches [optional]

UNI-TRACT II™ [Optional]

UNI-TRACT II™ is an insect attractant proven to enhance bait acceptance by a variety of sweet and protein feeding ants[,] [and German cockroaches.] [Optional]

Honeydew Formula with Uni-Tract II™¹ [Optional]

[Optional]

[Pictogram placeholder for Snap together Bait Station and activation directions.

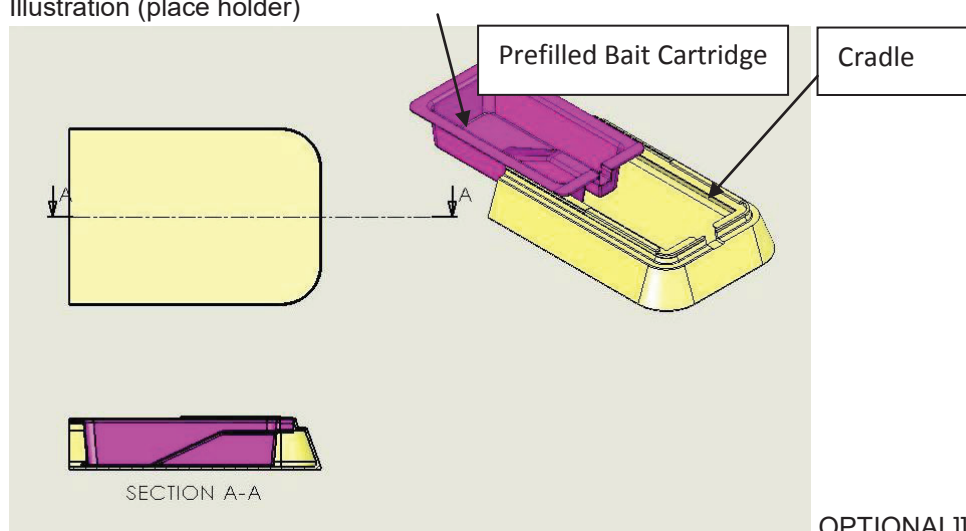
Snap (Snap open bait station) Operating instructions

Station consists of 2 pieces; the pre-filled bait cartridge and the cradle.

To activate-

1. Slide bait cartridge towards open end of cradle until the top edge of the cartridge disengages from the track on the cradle.
2. 2 Deflect the front end of the top of the bait cartridge upwards until the cartridge snaps open to reveal the entry to the station.
3. Continue to deflect the front of the bait station top 180°, so that the deflected portion of the station fits flat against the top of the cartridge.
4. Slide the cartridge forward in the cradle, so that the tracks on the cradle trap the deflected portion of the station in an opened position.
5. Continue to push the cartridge forward until it is stopped by the front of the cradle.
6. Place according to placement directions on the label]

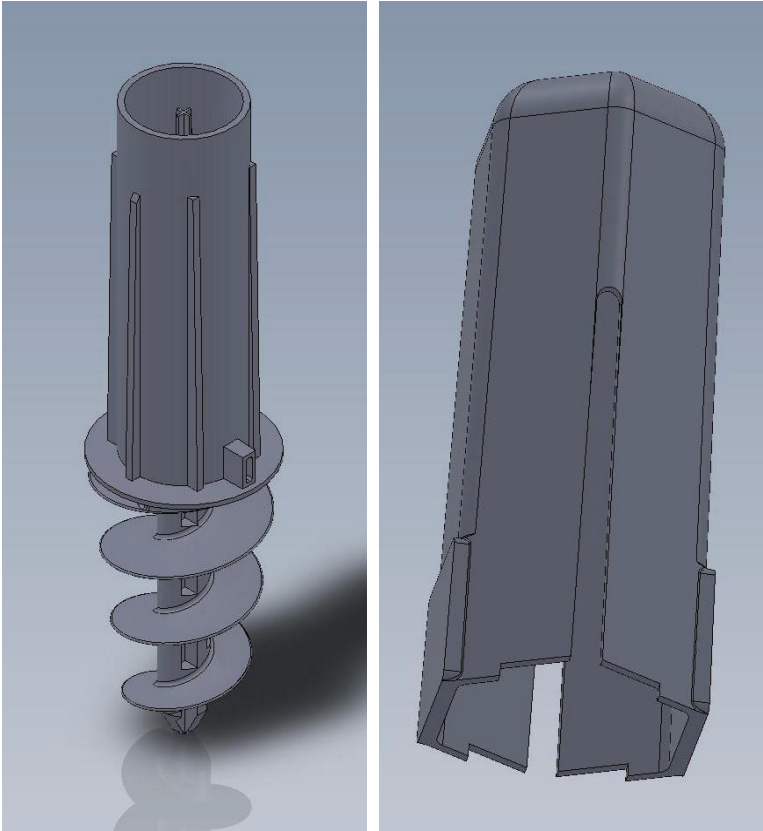
Illustration (place holder)



[Optional Antopia 6 RTU Insect Bait Station]

[Directions for Use]

[Antopia RTU Insect Bait Station **is designed for use outdoors.**



To activate the bait station, remove the cover to expose foil seal over the bait reservoir.

Place bait station in the ground by either by screwing anchor into the ground using a clock-wise motion. It may be necessary to loosen the soil with a screwdriver or other implement prior to inserting the station. The station may also be placed by digging out a 6 inch deep hole and placing the station in it and refilling the hole with the soil that was previously removed. With either method, the base of the station should be level with the ground when finished.

Remove the foil seal to expose the bait and then reseal the cover on to the bait station core.

The fill level of the bait can be observed by viewing through the observation slits on the bait station cover.

Refill the bait station as needed. If more than 6 months has elapsed since the bait station was last filled or if mold or other contaminants are noticed, remove the station from the ground and rinse with warm soapy water (soap should have no perfumes added as this could repel the ants).

Place bait stations according placement instructions on the label.]

[Optional Marketing for bait/ large volume bait station package]

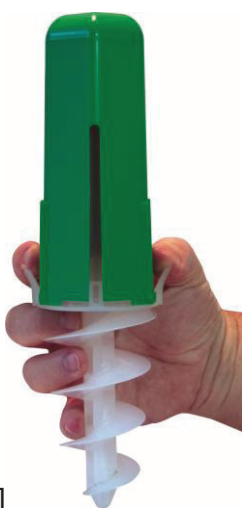
[This large volume liquid bait system can be used to treat “invasive” ant species that can have “Super-Colonies” with multiple queens. These invasive ant colonies, free from their natural predators and parasites can grow to enormous size. They form relationships with aphids, scales and mealybugs, feed on the “Honeydew” these insects produce and they can displace native ants that usually have smaller less aggressive colonies.

[Our bait] (Gourmet Liquid Ant Bait or Green Way Liquid Ant Killing Bait), which is formulated to mimic “Honeydew”, with a slow acting toxicant, is picked up by the forager ants and brought back to the colony and shared. A pheromone trail leads other workers back to the bait, so more bait can be brought back and distributed widely throughout the colony. When the baiting program is properly maintained, sufficient toxicant is distributed throughout the colony, feeding ceases and the colony including the queen(s) die.]

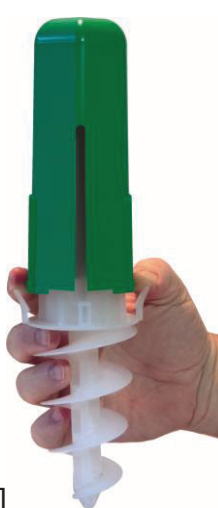
[Optional pictograms]



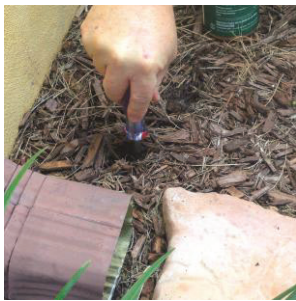
[Fig 1]



[Fig 2]



[Fig 3]



[Fig 4]



[Fig 5]



[Fig 6]



[Fig 7]

[Optional]**Gourmet Liquid Ant Bait Unit Package Labels**

Gourmet Liquid Ant Bait

Active Ingredient:

Disodium Octaborate Tetrahydrate	1.0%
Other Ingredients:	<u>99.0%</u>
Total	100.0%

**KEEP OUT OF REACH OF CHILDREN
CAUTION**

Manufactured For: Innovative Pest Control Products
EPA Reg. No. 73766-2
EPA Est. No. 81184-FL-001

Contents: 0.75 fluid oz (22.2ml). See accompanying package label for additional directions and precautions
Lot #

Gourmet Liquid Ant Bait

Active Ingredient:

Disodium Octaborate Tetrahydrate	1.0%
Other Ingredients:	<u>99.0%</u>
Total	100.0%

**KEEP OUT OF REACH OF CHILDREN
CAUTION**

Manufactured For: Innovative Pest Control Products
EPA Reg. No. 73766-2
EPA Est. No. 41580-FL-001 (or 81944-GA-001)

Contents: 6 to 14 fluid oz. See accompanying package label for additional directions and precautions
Lot #

AGRICULTURAL USE LABEL

BORIC ACID/ SODIUM SALTS	GROUP: 8D	INSECTICIDE
--------------------------	-----------	-------------

Gourmet Liquid Ant Bait

Kills Sweet [and, &] Protein Feeding Ants, except Fire [and, &] Harvester Ants

Use to Control Argentine Ants In;
Avocado, Berries, Cherimoya and other Subtropical fruits, Citrus, Cranberry, Grapes, Pome Fruit, Stone Fruit,
Strawberry and Tree Nuts

[Honeydew¹ Formula] [Optional]

[¹Honeydew refers to the excretions of plant sucking insects that may be used as food by ants.] [Optional]

Honeydew Formula with Uni-Tract IItm [Optional]

[¹Honeydew refers to the excretions of plant sucking insects that may be used as food by ants. UNI-TRACT IItm is an insect attractant proven to enhance bait acceptance by a variety of sweet and protein feeding ants.] [and German cockroaches.] [Optional]

Active Ingredient:

Disodium octaborate tetrahydrate1.0%

Other Ingredients:99.0%

Total100.0%

KEEP OUT OF REACH OF CHILDREN CAUTION

Net Contents: 2.5 gallons (Ag Uses), 1 gallon (Ag Uses), 275 Gallons
0.75 fluid oz (22.2 ml), 32 fluid oz,
6 to 14 fluid oz (Antopia®)

Manufactured For:
Innovative Pest Control Products
P.O. Box 143055
Gainesville, Florida 32614 USA

EPA Reg. No. 73766-2
EPA Est. No 81944-GA-001 or 41580-FL-001 or 81184-FL-001or 70815-001 or 88746-GA-01

(insert #)[Ant & Roach Café RTU or Antopia®] Prefilled [Ready to Use] Bait Stations
US Patent Nos. 6,202,341; 6,502,348; 6,871,444; 7,310,908; 7,937,886; D682,981 and 8,266,839 [Optional]

PRECAUTIONARY STATEMENTS

Hazards to Humans and Domestic Animals
CAUTION

ENVIRONMENTAL HAZARDS

Do not apply directly to water. Do not contaminate water when disposing of equipment wash waters or rinsate.

[The use of any pesticide in a manner that may kill or otherwise harm an endangered species or adversely modify their habitat is a violation of Federal law.]

DIRECTIONS FOR USE

It is a violation of Federal law to use this product in a manner inconsistent with its labeling.

PERSONAL PROTECTIVE EQUIPMENT (PPE)

Applicators and other handlers must wear:

- Long sleeved shirt and long pants
- Waterproof gloves
- Shoes plus socks

User Safety Recommendations

Users should:

- Wash hands before eating, drinking, chewing gum, using tobacco, or using the toilet.
- Remove clothing immediately if pesticide gets inside. Then wash thoroughly and put on clean clothing.
- Remove PPE immediately after handling this product. Wash the outside of gloves before removing. As soon as possible wash thoroughly and change into clean clothing.

Agricultural Use Requirements

Use this product only in accordance with its labeling and with the Worker Protection Standard, 40 CFR part 170. This standard contains requirements for the protection of agricultural workers on farms, forests, nurseries, and greenhouses, and handlers of agricultural pesticides. It contains requirements for training, decontamination, notification, and emergency assistance. It also contains specific instructions and exceptions pertaining to the statement on this label about personal protective equipment (PPE), notification to workers, and restricted-entry interval. The requirements in this box apply to uses of this product that are covered by the Worker Protection Standard.

To kill sweet and protein feeding ants use Gourmet Liquid Ant Bait in conjunction with bait stations that are designed for ant control and meet EPA-ChemSAC criteria such as KM AntPro Baiting System and Ant Cafe or Antopia® Bait Stations. Follow filling instructions accompanying individual bait stations.

It is recommended that Gourmet Liquid Ant Bait initially be used at full strength. If it appears that the ants are not readily accepting the bait, the bait may be made more attractive by dilution with water or other food grade liquid 1:1 to make bait containing 0.5% active ingredient. It does not affect distribution of stations or gallons per acre.

[[Ant Café Outdoor Bait Station or Antopia® Bait Stations] – The preparations below will help to prevent damage to the bait station.

To activate and place the station

1. Loosen the soil in the spot where you are going to place the station to width of about 3” and a depth of about 7” with a garden trowel or small shovel.
2. Twist off the lever at the end of the entry tube to expose the bait station entry.
3. Place the anchor into the soil with a clockwise turning motion until the entryway is level with the soil. If you encounter difficulty in seating the bait station properly, remove it and loosen the soil more thoroughly, then repeat the anchoring process.

4. Alternatively, dig a small hole to a depth of 7" place the station in the hole, so that the entryway is level with the adjacent ground and replace the soil.] [optional]

Resistance Management

For resistance management, Gourmet Liquid Ant Bait contains Group 8D insecticide. Any insect population may contain individuals naturally resistant to Gourmet Liquid Ant Bait and other Group 8D insecticide. The resistant individuals may dominate the insect population in this group of insecticides are used repeatedly in the same fields. Appropriate resistance-management strategies should be followed.

To delay insecticide resistance, take the following steps:

- Rotate the use of this product or other Group 8D insecticides within a growing season, or among growing seasons, with different groups that control the same pests.
- Adopt an integrated pest management program for insecticide use that includes scouting, uses historical information related to pesticide use crop rotation, record keeping, and which considers cultural, biological and other chemical control practices.
- Monitor after application for unexpected target pest survival. If level of survival suggests the presence of resistance, consult with your local university specialist or certified pest control advisor.
- Contact your local extension specialist or certified crop advisors for any pesticide resistance-management and/or IPM recommendations for the specific site and pest problems in your area.

INSTRUCTIONS FOR PLACEMENT AND FILLING OF BAIT STATIONS OR OTHER DELIVERY SYSTEMS.

For best results place stations in shaded areas or create shade for the bait station. Avoid placing bait station where it will receive direct sunlight whenever possible.

Place a sufficient number of bait stations per acre so that a continuous supply of bait can be maintained during the treatment period. For initial placement, use approximately 1 gallon/Acre (full strength or 1:1 ratio) for light populations, 2 gallons/Acre (full strength or 1:1 ratio) for medium populations and 3-4 gallons/Acre (full strength or 1:1 ratio) for heavy populations. The distribution and number of bait stations will vary based on the volume of bait in each station, crop, the time of year, and species of ant and service frequency. The amount of bait per station and the number of bait stations can be reduced as the ant population is reduced. Each situation must be evaluated individually in order to determine ideal bait station placement.

Place bait stations containing this product in areas where ant foraging is observed. Ants tend to follow natural lines in the environment, so use tree trunks, vines, watering lines, soil trunk interfaces and manmade rows as possible points at which to position bait stations. Between seasons, ant populations may migrate to areas where water is available. Try to place stations between these ant reservoirs and acreage being cultivated.

Ants are attracted to and will feed on Gourmet Liquid Ant Bait until they die. The bait is designed to work slowly and sufficient bait should be made available for at least 14 days of continuous feeding or until foraging terminates. Replace the bait with fresh bait as needed. When using bait stations, wash hands thoroughly before handling to remove any odors that may be repellent to ants, i.e. tobacco, garlic, strong chemicals cleaners, etc.

RESTRICTIONS AND LIMITATIONS

None

STORAGE AND DISPOSAL

Do not contaminate water, food or feed by storage or disposal.

PESTICIDE STORAGE: Store product in original container in a cool dry place out of reach of

children. Do not allow product to freeze.

PESTICIDE DISPOSAL: Wastes resulting from the use of this product must be disposed of on site or at an approved waste disposal facility.

CONTAINER DISPOSAL: Nonrefillable container. Do not reuse or refill this container. Offer for recycling, if available. Triple rinse container (or equivalent) promptly after emptying. **Triple rinse as follows:** Empty the remaining contents into application equipment or a mix tank and drain for 10 seconds after the flow begins to drip. Fill the container $\frac{1}{4}$ full with water and recap. Shake for 10 seconds. Pour rinsate into application equipment or a mix tank or store rinsate for later use or disposal. Drain for 10 seconds after the flow begins to drip. Repeat this procedure two more times.

Once triple rinsed, offer for recycling if available. If recycling is not available, puncture and dispose of in a sanitary landfill or incineration, or, if allowed by state and local ordinances, by burning. If burned, stay out of smoke.

Lot #

[Notice:

By using this product, user or buyer accepts the following Conditions. Disclaimer of Warranties: To the extent consistent with applicable law, IPCP makes no other warranties, express or implied, of merchantability or of fitness for a particular purpose or otherwise, that extend beyond the statements made on this label. No agent of IPCP is authorized to make any warranties beyond those contained herein or to modify the warranties contained herein. To the extent consistent with applicable law, IPCP disclaims any liability whatsoever for special, incidental or consequential damages resulting from the use or handling of this product.] Optional